



AAA TECHNOLOGY & SPECIALTIES CO., INC.

6219 Brittmoore Road " Houston, Texas 77041-5114, U.S.A.

Telephone: 713-849-3366 " FAX: 713-849-3654

E-mail: info@aaatech.com " Website: <http://www.aaatech.com>



ANCHOR BOLTS, U-BOLTS & THREADED RODS



**FIGS. 700, 703 & 706
U-BOLTS**



**FIG. 945 ANCHOR
BOLT—L—THREADED
ONE END**



**FIG. 948 ANCHOR
BOLT—L—THREADED
BOTH ENDS**



**FIG. 951 ANCHOR
BOLT—J—THREADED
ONE END**



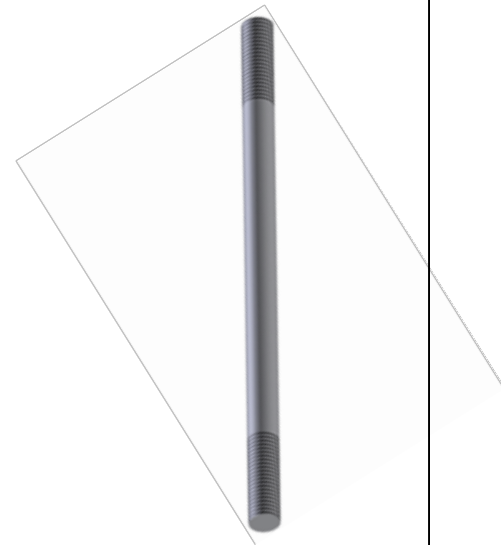
**FIG. 927 EXTERNAL
PLUG DROP-IN**



FIG. 930 SET-BOLT



**FIG. 936 WEDGE
ANCHOR**



**FIG. 403 MACHINE
THREAD RODS**



AAA TECHNOLOGY & SPECIALTIES CO., INC.

6219 Brittmoore Road " Houston, Texas 77041-5114, U.S.A.
Telephone: 713-849-3366 " FAX: 713-849-3654
E-mail: info@aaatech.com " Website: <http://www.aaatech.com>



PIPE ROLLER SUPPORTS

AAA Technology & Specialties Co., Inc. has the Pipe Roller for your every pipeline application need. Pipe Rollers are used to allow the horizontal expansion or contraction of your pipe due to moderate or extreme temperature variations.

The Pipe Rollers we manufacture are built to handle loads ranging from light duty to extra heavy duty. We have a variety of configurations that can be supported underneath or hung overhead; whether these are fixed or adjustable.

Our standard roller is manufactured from cast iron that can typically handle up to 450 °F. However our specialty rollers are manufactured in Stainless Steel or even Chrome-Moly Alloy Steel to handle temperatures of up to 1000°F.

These Pipe Rollers are manufactured in accordance to ANSI/ASME B31.3, the MSS Standards SP-58 and SP-69, as well as the Federal Specification WW-H-171 for Pipe Hangers and Supports.

Please call AAA Technology & Specialties Co., Inc. if you have any other questions or specifications. We are industry leaders in resolving your Piping Stress Analysis and specialty roller design needs.

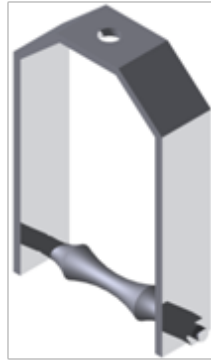


FIG 809 CLEVIS ROLLER HANGER

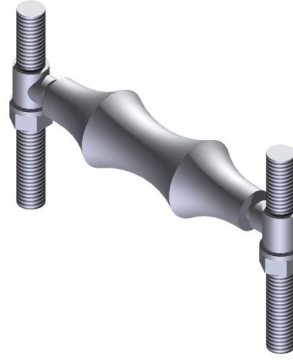


FIG. 812 TWO ROD ROLL TYPE HANGER

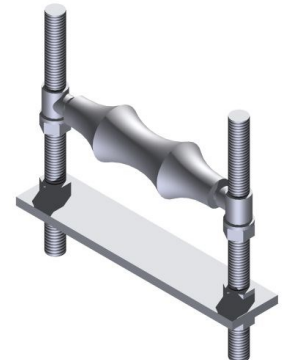


FIG. 815 ADJUSTABLE SUPPORT ROLLER



FIG. 818 ALTERNATE ADJUSTABLE SUPPORT ROLLER

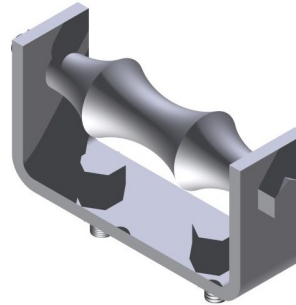


FIG. 821 PIPE ROLLER CHAIR



FIG. 824 CAST IRON PIPE ROLL

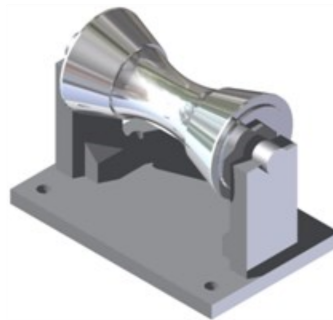


FIG. 827 PIPE ROLLER & STAND

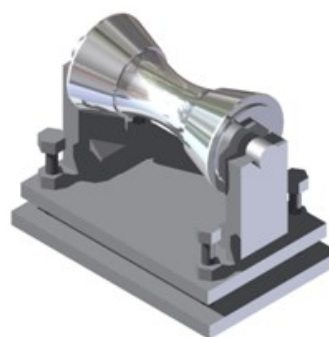


FIG. 830 ADJUSTABLE PIPE ROLLER & STAND

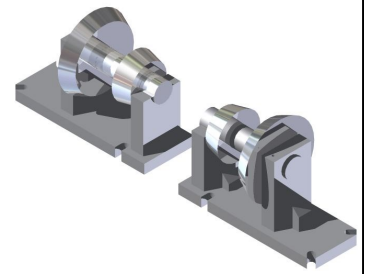


FIG. 833 LARGE DIAMETER PIPE ROLLER SUPPORT STAND